



Standard Features & Accessories

All models include:

- Hidden touchpad electronic controls with digital temperature readout
 - Inside temperature can be adjusted from 40 – 65°F
 - TruProtect™ system signals if door is left open or if temperature is out of set range
 - Sabbath mode disables audible tones, LED display and lights
 - Temperature can be displayed in either Fahrenheit or Celsius
- Capacity—54 bottles
- Six wire shelves cradle bottles horizontally to keep corks moist
 - Shelves are coated to reduce vibration and hold bottles snugly in place
 - Roller rack shelves glide in and out for easy access to stored bottles
 - Locks on shelf glides prevents shelves from being removed in inadvertently
 - Shelves can be removed to store magnum or larger bottles
- Ultraviolet-resistant tempered glass and black interior protects wine from harmful light
- Maple wood facings provide additional ultraviolet protection
- Low-intensity lighting displays wine with minimal heat and light output
- Interior light turns on by switch or when door is opened
- Keyed door lock provides protection for stored wines
- Low-E argon-filled glass doors
- Install as undercounter or freestanding unit
- Must be ordered right or left hinge. (As you face unit, RIGHT has hinge on right side and handle on left side; LEFT has hinge on left side and handle on right side.)

Model Options



VUWC144
Professional

FINISH DETAILS FOR VUWC MODEL

- Clear and fluted glass doors
 - Stainless Steel (SS)—stainless steel frame around large window door, stainless steel handle with chrome-plated brackets, black exterior cabinet, and black interior.
- Solid door
 - Stainless Steel (SS)
 - Finish codes designate door front. Stainless steel handle with chrome-plated brackets, black exterior cabinet, and black interior.



DUWC144
Designer

FINISH DETAILS FOR DUWC MODEL

- Clear and fluted glass doors
 - Stainless Steel (SS)—stainless steel frame around large window door, stainless steel handle with chrome-plated brackets, black exterior cabinet, and black interior.
- Solid door
 - Stainless Steel (SS)
 - Finish codes designate door front. Cast stainless steel handle, black exterior cabinet, and black interior.



DFUW144
Custom Front

FINISH DETAILS FOR DFUW MODEL

- Clear and fluted glass doors
- Handle not included—opt for custom handle, or purchase a Viking Professional Series or Designer Series handle kit (see **Installation Notes & Accessories**).
- Accept 3/4"-thick custom wood frame
- See **Custom Panels** section or more information and additional specifications.

ORDERING INSTRUCTIONS

First specify model number, then specify door style ("F" for fluted, "C" for clear or "D" for solid) immediately after model number (VUWC144**F**). Next, specify hinge preference ("R" for right or "L" for left), and then color code (VUWC144**FRSS**).



★ Please see **Installation Notes & Accessories** for important information, including handle kits.

Dimensions & Specifications

PRODUCT DIMENSIONS



VUWC144
Professional

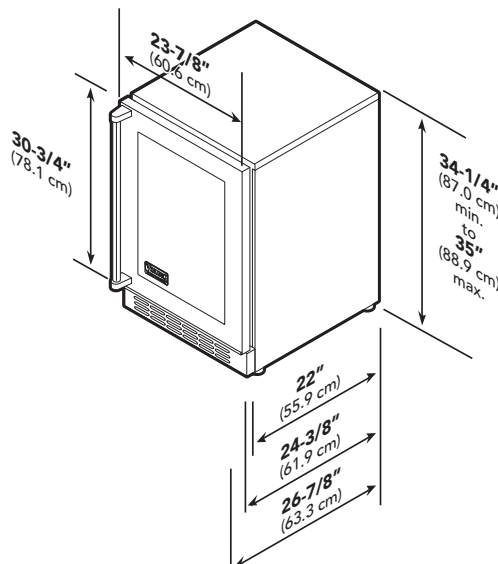


DUWC144
Designer

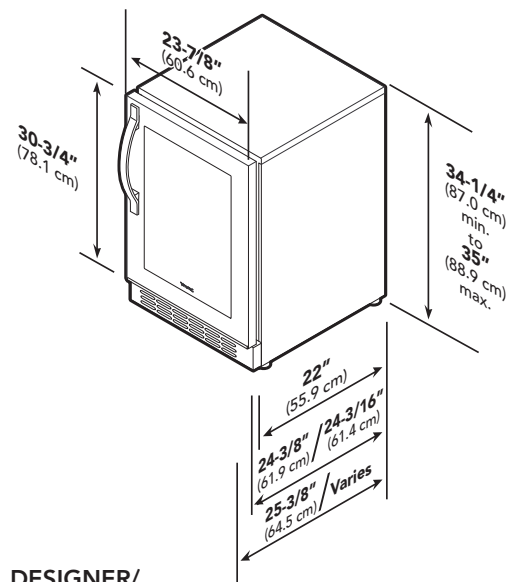


DFUW144
Custom Front

See **Custom Panels** section for more information and additional specifications.



PROFESSIONAL



**DESIGNER/
CUSTOM FRONT**

	VUWC144	DUWC144	DFUW144
Overall width		23-7/8" (60.6 cm)	
Overall height (from bottom)		34-1/4" min. (87.0 cm) to 35" (88.9 cm) max.	
Overall depth (from rear)			
To front of handle	26-7/8" (63.3 cm)	25-3/8" (64.5 cm)	Varies
With door open		47-1/4" (120.0 cm)	
Approx. ship. weight		140 lbs. (63.0 kg)	



REFRIGERATION

Undercounter/Freestanding 24"W. Wine Cellar



Dimensions & Specifications

DOOR SWING



VUWC144
Professional

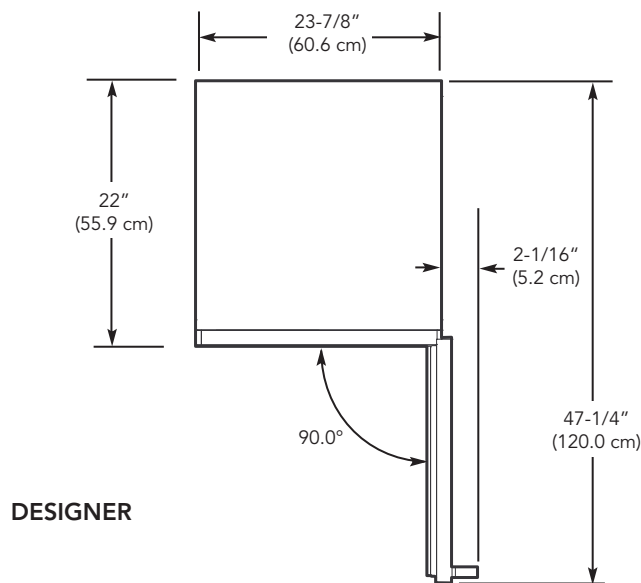
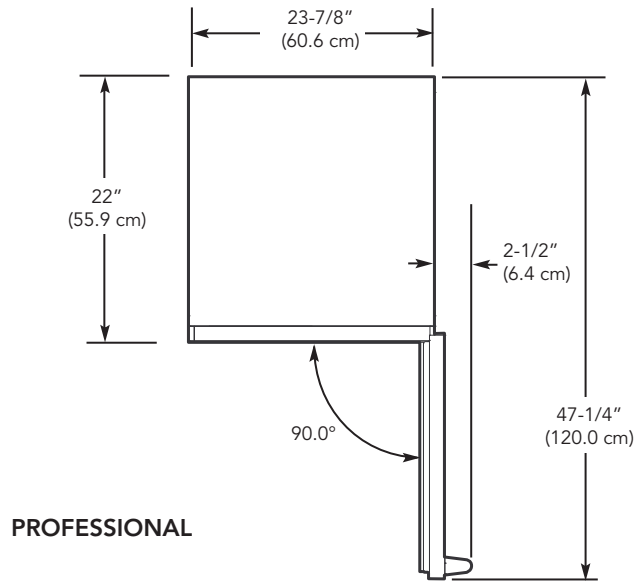


DUWC144
Designer



DFUW144
Custom Front

See **Custom Panels** section for more information and additional specifications.





UTILITY REQUIREMENTS



GAS
Not applicable



ELECTRICAL

- Three-wire cord with grounded three-prong plug attached to product
- 115 VAC/60 Hz; 15 amp dedicated circuit
- Maximum amp usage—3.3



PLUMBING
Not applicable

Installation Requirements

ACCESS REQUIREMENTS



VUWC144
Professional

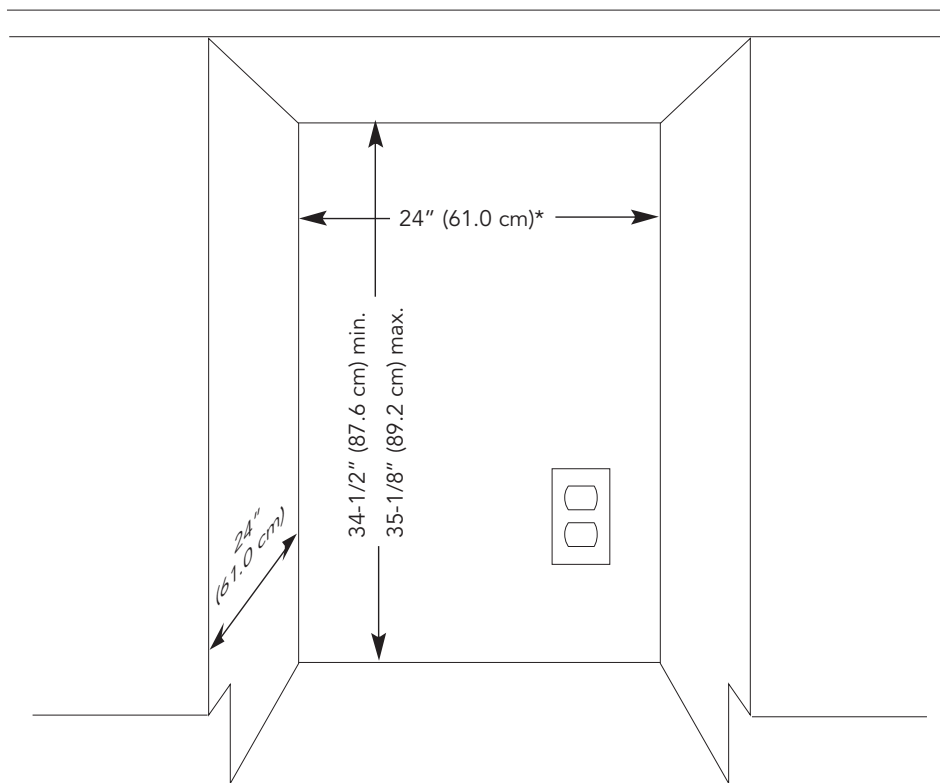


DUWC144
Designer



DFUW144
Custom Front

See **Custom Panels** section for more information and additional specifications.



*24" (61.0 cm) width for cabinet only. If door is recessed between cabinets, cabinet cutout must be 24-1/4" (61.6 cm).

All models	
Cutout width	24" (61.0 cm)*
Cutout height	34-1/2" (87.6 cm) min. to 35-1/8" (89.2 cm) max.
Cutout depth	24" (61.0 cm)



★ Installation Notes & Accessories

Handle Kits

- For use with custom front 24"W. wine cellar
- For use on locally supplied custom front panels
- Handles allow custom front products to coordinate with other Professional & Designer products
- Kit includes one handle and installation hardware

Model	Description	Approx. ship wt. lbs. (kg)
PHK30-SS	Professional handle (Stainless Steel)	6 (2.7)
PHK30-BR	Professional handle (Brass)	6 (2.7)
DHK18-SS	Designer handle (Stainless Steel)	5 (2.3)
DHK18-BR	Designer handle (Brass)	5 (2.3)

Brass Handle Kit

- For use with Professional 24"W. wine cellar

Model	Description	Approx. ship wt. lb. (kg)
PURHK30-BR	Professional brass handle kit and logo for VUWC	6 (2.7)

Compliance Information



WARRANTY SUMMARY*

- Two-year full warranty—complete unit
- Six-year full warranty—sealed refrigeration system (includes compressor, condenser, dryer/strainer, evaporator, and connecting tubing)
- Twelve-year limited warranty—sealed refrigeration system
- Ninety-day limited warranty—cosmetic parts such as glass, painted, and decorative items

*For complete warranty see *Use & Care Guide*. Warranty valid on Viking products shipped within the United States and Canada.

